



KALORIK



Slow cooker

Olla para guisos

Mijoteuse

USK SC 24572 / SC 32553
120V~60 Hz - 225W (1.88A)

USK SC 25581 / SC 32648
120V~60 Hz - 340W (2.85A)

www.KALORIK.com



Front cover page (first page)

Assembly page 1/32



Fax +32 2 359 95 50

Copies of the I/B. Please reproduce them without any changes except under special instruction from Team International BELGIUM. The pages must be reproduced and folded in order to obtain a booklet A5 (+/- 148.5 mm width x 210 mm height). When folding, make sure you keep the good numbering when you turn the pages of the I/B. Don't change the page numbering. Keep the language integrity. **Print only what is inside the frame.**



(EN) OPERATING INSTRUCTIONS

IMPORTANT SAFEGUARDS

When using electrical appliances, basic safety precautions should always be followed, including the following

1. READ ALL INSTRUCTIONS

2. Check that your mains voltage corresponds to that stated on the rating plate of the appliance before using the appliance.
3. Do not touch hot surfaces. Use handles or knobs.
4. To protect against electric shock do not immerse cord, plugs, the appliance or its control panel in water or other liquid.
5. Close supervision is necessary when the appliance is used by or near children.
6. Do not operate any appliance with a damaged cord or plug or after the appliance malfunctions or has been damaged in any manner. Return appliance to the nearest authorized service facility for examination, repair, or adjustment.
7. Unplug from outlet when not in use and before cleaning. Allow to cool before putting on or taking off parts, and before cleaning the appliance.
8. The use of accessory attachments not recommended by the appliance manufacturer may cause injuries.
9. Do not use outdoors.
10. Do not let cord hang over edge of table or counter or touch hot surfaces.
11. Do not place on or near a hot gas or electric burner, or in a heated oven. This also for the ceramic crock pot
12. Extreme caution must be used when moving an appliance containing hot oil or other hot liquids.
13. Always attach plug to appliance first, then plug cord in the wall outlet. To disconnect, remove plug from wall outlet.
14. **CAUTION:** To prevent damage or shock hazard, do not cook in base. Cook only in removable crock.
15. Avoid sudden temperature changes, such as adding refrigerated foods into a heated pot.
16. Do not use appliance for other than intended use.



Fax +32 2 359 95 50

Copies of the I/B. Please reproduce them without any changes except under special instruction from Team International BELGIUM. The pages must be reproduced and folded in order to obtain a booklet A5 (+/- 148.5 mm width x 210 mm height). When folding, make sure you keep the good numbering when you turn the pages of the I/B. Don't change the page numbering. Keep the language integrity. **Print only what is inside the frame.**



SAVE THESE INSTRUCTIONS HOUSEHOLD USE ONLY

POLARIZED PLUG INSTRUCTIONS

This appliance is equipped with a polarized plug (one blade is wider than the other). To reduce the risk of electric shock, this plug will fit into the polarized outlet only one way. If the plug does not properly fit into the outlet at first, reverse it. If it still does not fit, contact a competent qualified electrician. **Do not attempt to modify the plug in any way.**

SHORT CORD INSTRUCTIONS

A short power supply cord is provided to reduce the hazards resulting from becoming entangled in, or tripping over a longer cord. Extension cords may be used if care is exercised in their use.

- The electrical rating of the extension cord should be at least that of the appliance. If the electrical rating of the extension cord is too low, it could overheat and burn.
- The resulting extended cord should be arranged so that it will not hung over the counter top or tabletop where it can be pulled on by children or tripped over.

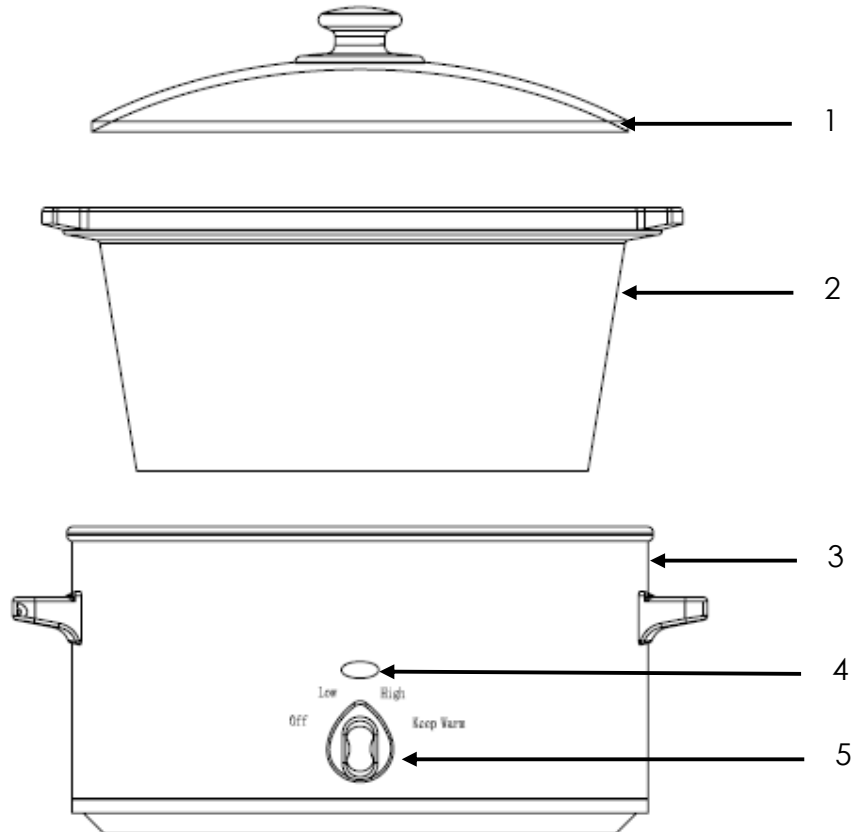


Fax +32 2 359 95 50

Copies of the I/B. Please reproduce them without any changes except under special instruction from Team International BELGIUM. The pages must be reproduced and folded in order to obtain a booklet A5 (+/- 148.5 mm width x 210 mm height). When folding, make sure you keep the good numbering when you turn the pages of the I/B. Don't change the page numbering. Keep the language integrity. **Print only what is inside the frame.**



PART DESCRIPTION



1. Lid
2. Crock
3. Heating base
4. Pilot light
5. Temperature control knob with 4 positions (from Left to Right) :
OFF, LOW; HIGH and KEEP WARM



Fax +32 2 359 95 50

Copies of the I/B. Please reproduce them without any changes except under special instruction from Team International BELGIUM. The pages must be reproduced and folded in order to obtain a booklet A5 (+/- 148.5 mm width x 210 mm height). When folding, make sure you keep the good numbering when you turn the pages of the I/B. Don't change the page numbering. Keep the language integrity. **Print only what is inside the frame.**



OPERATION

- After having unpacked the appliance, clean the crock pot and the lid in soapy water, rinse and dry thoroughly.
- When it is first switched on, the heating parts may smell and emit some smoke. This is normal; the grease that may have adhered to the element during manufacture is burning off. We therefore recommend for the first time that you heat up the appliance for about 10 minutes without any food (ventilate the room during this period) and shut the appliance down for it to cool.
- Prepare your recipes directly in the crock.
- Put the lid on the crock.
- Always make sure the temperature knob is in "0" position.
- Insert the plug in an earthed power socket, 120V, UL type.
- Select the desired temperature and let the preparation cook slowly.
- If you use an extension cord, compare its characteristics with the ones of the appliance (see rating plate) and check its compatibility.
- You can either serve the preparation in the crock or transfer it in another receptacle. When taking the crock out of the aluminum pan, use potholders or a cloth to grasp the handles, particularly if you are sensitive to heat.
- Always let the appliance cool down before cleaning or storing it.

WARNING:

According to U.S. Department of Agriculture, Food Safety and Inspection Service, to avoid food-borne illnesses, foods such as meat, fish, and poultry should be thoroughly cooked before consuming them. Before consuming, determine the temperature of the foods using a food thermometer (not included). Refer to the USDA web site for information on food temperature rules.



Fax +32 2 359 95 50

Copies of the I/B. Please reproduce them without any changes except under special instruction from Team International BELGIUM. The pages must be reproduced and folded in order to obtain a booklet A5 (+/- 148.5 mm width x 210 mm height). When folding, make sure you keep the good numbering when you turn the pages of the I/B. Don't change the page numbering. Keep the language integrity. **Print only what is inside the frame.**



TEMPERATURE SELECTOR

- According to the preparation you can select position LOW (Low cooking setting) or position HIGH (High cooking setting).
- The LOW heat setting gently simmers food for an extended period of time without overcooking or burning. No stirring is required when using this setting. Ideal for vegetable dishes and re-heating.
- Although the fast cooking setting accelerates the preparation, it remains slow compared to a classical cooking mode and your preparation may simmer gently to allow the ingredients to give off their flavor. The HIGH heat setting will cook food in half the time required for the LOW heat setting. As food will boil when cooked on the HIGH heat setting. It may be necessary to add extra liquid, depending on the recipe and the amount of time in which it is cooked. Occasional stirring of stews and casseroles will improve the flavor distribution. Food should be monitored when using the high setting, just like cooking in a pot with a lid on.
- You can also use the HIGH settings for the first couple of hours and then switch back to the LOW setting for the remainder of the cooking.
- Using the KEEP WARM position, the slow cooker will keep the food at serving temperature after cooking, at approx. 150°F. Do not use this setting to cook food.

PRACTICAL ADVICE

- In order to prolong the appliance's lifespan and to protect the crock, we advise you not to create thermal shocks during use. For example, never pour boiling liquid on cold ingredients or on the contrary, never put frozen food in a hot preparation.
- Never fill the crock to the brim as the preparation might flow over during the cooking process (leave up minimum 2 inches space to the rim)
- Do not use for more than 8 hours consecutively.
- Defrost any frozen content before cooking into the slow cooker.



Fax +32 2 359 95 50

Copies of the I/B. Please reproduce them without any changes except under special instruction from Team International BELGIUM. The pages must be reproduced and folded in order to obtain a booklet A5 (+/- 148.5 mm width x 210 mm height). When folding, make sure you keep the good numbering when you turn the pages of the I/B. Don't change the page numbering. Keep the language integrity. **Print only what is inside the frame.**



COOKING WITH YOUR SLOW COOKER

Contrary to classical cooking modes, your appliance does not heat the food from below but only the sides of the appliance are heating and the heat is spread over the whole recipient. This way the food does not stick to the bottom of the receptacle and may thus cook for a long time.

All preparations that need slow cooking, i.e. to "simmer", can be made with the slow cooker, but other preparations may be adapted to this cooking mode.

As most food is cooked over period of 6-9 hours, it can be prepared in advance the evening before, refrigerated in the removable crockery pot, placed in the slow cooker and switched on in the morning and left to cook all day. When you arrive home a delicious, hot meal will await you.

The guide below will help simplify the process of slow cooker, allowing you to obtain ultimate satisfaction from your slow cooker.

It's all in the timing !

Always allow sufficient time for the food to cook. It is almost impossible to overcook in the slow cooker, particularly when using the LOW setting. Most recipes can be cooked on any one of the temperature settings, however the cooking times will vary accordingly.

Adapting cooking times

Your favorite traditional recipes can be adapted easily, by halving the amount of liquid and increasing the cooking time considerably. See the guide that follows for suggested cooking times and settings when adjusting your favorite recipes.

Traditional Recipe Time:
15-30 minutes
60 minutes
1-3 hours

Slow Cooker Recipe Time:
4-6 hours on LOW heat setting
6-8 hours on LOW heat setting
8-12 hours on LOW heat setting



Fax +32 2 359 95 50

Copies of the I/B. Please reproduce them without any changes except under special instruction from Team International BELGIUM. The pages must be reproduced and folded in order to obtain a booklet A5 (+/- 148.5 mm width x 210 mm height). When folding, make sure you keep the good numbering when you turn the pages of the I/B. Don't change the page numbering. Keep the language integrity. **Print only what is inside the frame.**



NOTE! These times are approximate. Times can vary depending on ingredients and quantities in recipes.

All food should be cooked with the glass lid well in place. Each time the lid is lifted, both the heat and moisture are decreasing. Cooking times should be adjusted by to accommodate this factor.

Liquid amounts

When food is cooking in your slow cooker, very little moisture boils away. To compensate this, it is advisable to halve the liquid content of traditional recipes.

However, if after cooking the liquid content is excessive remove the lid and operate the slow cooker on the High heat setting for 30-45 minutes or until the liquid reduces by the desirable amount.

Stirring the food

Little or no stirring is required when using the LOW or KEEP WARM setting. When using the HIGH heat setting stirring ensures even flavor distribution.

REFERENCE TEMPERATURES

Please use the following table as a reference for the temperature reached.

Operating time	Approx. temperature on HIGH setting	Approx. temperature on LOW setting
1 hour	61°F / 16°C	61°F / 16°C
2 hours	117 °F / 47°C	117 °F / 47°C
3 hours	165 °F / 74°C	162 °F / 72°C
4 hours	212 °F / 100°C	180 °F / 82°C
5 hours	212 °F / 100°C	194 °F / 90°C
6 hours	212 °F / 100°C	198 °F / 92°C
7 hours	212 °F / 100°C	200 °F / 93°C
8 hours	212 °F / 100°C	200 °F / 93°C



Fax +32 2 359 95 50

Copies of the I/B. Please reproduce them without any changes except under special instruction from Team International BELGIUM. The pages must be reproduced and folded in order to obtain a booklet A5 (+/- 148.5 mm width x 210 mm height). When folding, make sure you keep the good numbering when you turn the pages of the I/B. Don't change the page numbering. Keep the language integrity. **Print only what is inside the frame.**



CLEANING AND CARE

- Always put in off position, unplug the appliance and wait for it to cool down before cleaning it.
- Remove the lid and take out the crock using their handles and clean them in hot, soapy water. You can also immerse them in water, but never use scouring pads to clean them. Rinse thoroughly.
- The crockery pot and glass lid can also be washed in the dishwasher. However care should be taken not to chip or crack the crock-pot or lid.
- Wipe the inside of the aluminum pan and the body of the appliance with a damp sponge. Never immerse in water. Never put it in the dishwasher.
- Never immerse the appliance in water or any other liquid. Never fill the crock with water to clean it when it is still in the aluminum pan.



Fax +32 2 359 95 50

Copies of the I/B. Please reproduce them without any changes except under special instruction from Team International BELGIUM. The pages must be reproduced and folded in order to obtain a booklet A5 (+/- 148.5 mm width x 210 mm height). When folding, make sure you keep the good numbering when you turn the pages of the I/B. Don't change the page numbering. Keep the language integrity. **Print only what is inside the frame.**



WARRANTY

We suggest that you complete and return the enclosed Product Registration Card promptly to facilitate verification of the date of original purchase. However, return of the Product Registration Card is not a condition of these warranties. You can also fill this warranty card online, at the following address: www.KALORIK.com

This KALORIK product is warranted in the U.S.A. for 1 year from the date of purchase against defects in material and workmanship. This warranty is not transferable. Keep the original sales receipt. Proof of purchase is required to obtain warranty performance.

During this period, the KALORIK product that, upon inspection by KALORIK, is proved defective, will be repaired or replaced, at Kalorik's option, without charge to the customer. If a replacement product is sent, it will carry the remaining warranty of the original product.

This warranty does not apply to any defect arising from a buyer's or user's misuse of the product, negligence, failure to follow KALORIK instructions noted in the user's manual, use on current or voltage other than that stamped on the product, wear and tear, alteration or repair not authorized by KALORIK, or use for commercial purposes. There is no warranty for glass parts, glass containers, filter basket, blades and agitators, and accessories in general. There is also no warranty for parts lost by the user.

ANY WARRANTY OF MERCHANTABILITY OR FITNESS WITH RESPECT TO THIS PRODUCT IS ALSO LIMITED TO THE ONE YEAR LIMITED WARRANTY PERIOD.

Some states do not allow limitation on how long an implied warranty lasts or do not allow the exclusion of incidental or consequential damages, so the above limitations may not apply to you. This warranty gives you specific legal rights, and you may also have other rights which vary from state to state.



Fax +32 2 359 95 50

Copies of the I/B. Please reproduce them without any changes except under special instruction from Team International BELGIUM. The pages must be reproduced and folded in order to obtain a booklet A5 (+/- 148.5 mm width x 210 mm height). When folding, make sure you keep the good numbering when you turn the pages of the I/B. Don't change the page numbering. Keep the language integrity. **Print only what is inside the frame.**



If the appliance should become defective within the warranty period and more than 30 days after date of purchase, do not return the appliance to the store: often, our Consumer Service Representatives can help solve the problem without having the product serviced. If servicing is needed, a Representative can confirm whether the product is under warranty and direct you to the nearest service location.

If this is the case, bring the product, or send it, postage prepaid by the user (all Kalorik customers are responsible for the initial shipment back to the warranty center), along **with proof of purchase** and indicating a **return authorization number** given by our Consumer Service Representatives, to the authorized KALORIK Service Center (please visit our website at www.KALORIK.com or call our Customer Service Department for the address of our authorized KALORIK Service Center).

If you send the product, please include a letter explaining the nature of the claimed defect.

If you have additional questions, please call our Consumer Service Department (please see below for complete contact information), Monday through Friday from 9:00am - 6:00pm (EST). Please note hours are subject to change.

If you would like to write, please send your letter to:

KALORIK Consumer Service Department
Team International Group of America Inc.
1400 N.W 159th Street, Suite 102
Miami Gardens, FL 33169 USA

Or call:

Toll Free: +1 888-521-TEAM / +1 888-KALORIK

Only letters can be accepted at this address above. Shipments and packages that do not have a return authorization number will be refused.



Fax +32 2 359 95 50

Copies of the I/B. Please reproduce them without any changes except under special instruction from Team International BELGIUM. The pages must be reproduced and folded in order to obtain a booklet A5 (+/- 148.5 mm width x 210 mm height). When folding, make sure you keep the good numbering when you turn the pages of the I/B. Don't change the page numbering. Keep the language integrity. **Print only what is inside the frame.**



(SP) MANUAL DE INSTRUCCIONES

CONSEJOS DE SEGURIDAD

Cuando se utilizan aparatos eléctricos, hay unas precauciones básicas de seguridad que siempre se deben seguir, tales como:

- 1. LEA TODAS LAS INSTRUCCIONES.**
2. Antes de utilizar el aparato, compruebe que el voltaje de la red eléctrica coincide con el indicado en la placa de datos técnicos del aparato.
3. No toque las superficies calientes. Utilice las asas o los botones.
4. Para protegerse contra una descarga eléctrica, no sumerja el aparato o el enchufe en agua o en otros líquidos.
5. Es siempre necesaria la supervisión cercana cuando este aparato sea utilizado cerca de niños. Este aparato no debe ser usado por niños.
6. No opere el aparato si el cable o el enchufe están dañados, o después de que el aparato ha funcionado inadecuadamente, se ha caído o ha sido dañado en cualquier manera. El aparato debe ser llevado al fabricante o a un centro de servicio autorizado para ser comprobado y reparado.
7. Desenchufe el aparato cuando no lo use o antes de limpiarlo. Deje que el aparato enfríe antes de quitar o poner accesorios o antes de limpiar el aparato.
8. El uso de accesorios que no sean los recomendados por el fabricante puede causar incendios, descargas eléctricas o heridas.
9. No use en el exterior.
10. No permita que el cable cuelgue del borde de la mesa o del mostrador o toque las partes calientes.
11. No coloque este aparato sobre o cerca de quemadores de gas o eléctricos, o dentro de un horno caliente. Esto es también para la olla de loza.
12. Tenga mucho cuidado cuando desplace un aparato lleno de aceite caliente o otros líquidos calientes.
13. Enchufe siempre primero el cable al aparato y después en el enchufe de la red eléctrica. Para desconectar el aparato, desenchúfelo.



Fax +32 2 359 95 50

Copies of the I/B. Please reproduce them without any changes except under special instruction from Team International BELGIUM. The pages must be reproduced and folded in order to obtain a booklet A5 (+/- 148.5 mm width x 210 mm height). When folding, make sure you keep the good numbering when you turn the pages of the I/B. Don't change the page numbering. Keep the language integrity. **Print only what is inside the frame.**



14. **CUIDADO:** Para evitar daños o descargas eléctricas, no cocine en la base. Cocine sólo en recipiente amovible.
15. Procure evitar cambios de temperatura bruscos. Por ejemplo, no añada alimentos muy fríos en el recipiente caliente.
16. No use este aparato más que para lo que ha sido diseñado.

GUARDE ESTAS INSTRUCCIONES SOLAMENTE PARA USO DOMESTICO

INFORMACIÓN SOBRE EL ENCHUFE POLARIZADO

Este aparato esta provisto de un enchufe polarizado (una pata es más ancha que la otra). Para reducir el riesgo de choque eléctrico, este enchufe calza en el tomacorriente polarizado de una sola manera. Si el enchufe no cabe totalmente en el tomacorriente, gire el enchufe. Si aún así no calza, consulte a un servicio técnico cualificado. **No intente anular esta característica de seguridad.**

INSTRUCCIONES DEL CABLE

El cable de alimentación del aparato es un cable corto a fin de disminuir el riesgo de accidentes (caídas al tropezar con él, etc.) Puede utilizar un alargador si es necesario.

- Asegúrese de que el nivel eléctrico del cable es igual o mayor que el indicado. Una extensión con un bajo nivel eléctrico conllevaría el riesgo de su sobrecalentamiento y daño.
- Para evitar riesgos, coloque el aparato de forma tal que los niños no puedan jalarlo o tropezar con él. Que no arrastre nunca por el suelo.

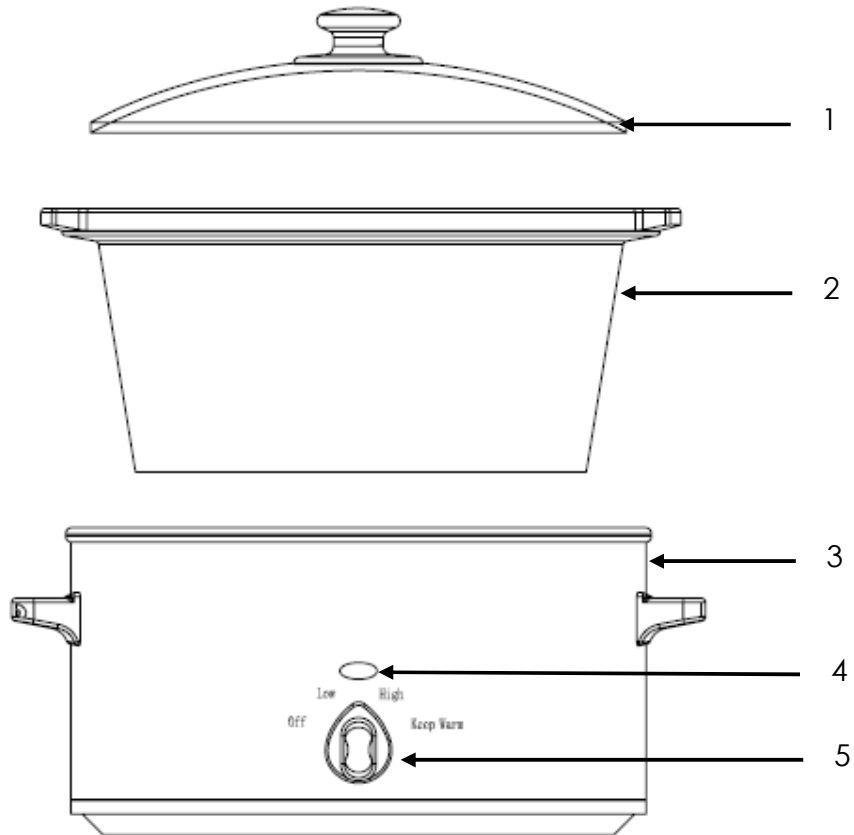


Fax +32 2 359 95 50

Copies of the I/B. Please reproduce them without any changes except under special instruction from Team International BELGIUM. The pages must be reproduced and folded in order to obtain a booklet A5 (+/- 148.5 mm width x 210 mm height). When folding, make sure you keep the good numbering when you turn the pages of the I/B. Don't change the page numbering. Keep the language integrity. **Print only what is inside the frame.**



PARTES



1. Tapa
2. Recipiente de cerámica
3. Base calefactora
4. Testigo luminoso
5. Selector de temperatura ("OFF", "LOW", "HIGH", "KEEP WARM")



Fax +32 2 359 95 50

Copies of the I/B. Please reproduce them without any changes except under special instruction from Team International BELGIUM. The pages must be reproduced and folded in order to obtain a booklet A5 (+/- 148.5 mm width x 210 mm height). When folding, make sure you keep the good numbering when you turn the pages of the I/B. Don't change the page numbering. Keep the language integrity. **Print only what is inside the frame.**



USO

- Después de desembalar el aparato, lave el recipiente de cerámica y su tapa en agua con detergente, enjuague y seque el conjunto.
- Durante la primera utilización, las partes calefactores pueden desprender cierto olor y humo. Por esta razón le recomendamos encender el aparato sin comida por al menos 10 minutos (durante esta operación, ventile el cuarto).
- Prepare sus recetas directamente en el recipiente de cerámica.
- Ponga la tapa sobre el recipiente de cerámica.
- Asegúrese siempre que el selector está en la posición "0" (aparato apagado).
- Conecte su aparato a un enchufe de pared con toma de tierra.
- Seleccione la temperatura deseada y deje cocer lentamente la preparación.
- Si utiliza un cable de prolongación, compare sus características con aquellas del aparato (están indicadas en la placa de identificación) y compruebe su compatibilidad.
- Una vez cocinada su preparación, ponga el selector en la posición "0" y desconecte la clavija del enchufe de pared.
- Puede servir su guiso en el recipiente de cerámica o bien vaciarlo en otro recipiente. Cuando retire el recipiente de cerámica de la cuba, utilice guantes de cocina o agarradores para las asas, sobretodo si es muy sensible al calor.
- Siempre deje enfriar el aparato antes de limpiarlo o de guardarlo.

SELECTOR DE TEMPERATURA

- Según la receta que prepara, puede poner el selector en la posición LOW (Función calor BAJO) o en la posición HIGH (Posición calor ALTO).
- La función calor BAJO cocina las comidas lentamente por un período de tiempo más largo sin re-cocinarlas o quemarlas. No es necesario revolver cuando se usa esta función. Es ideal para platos de vegetales y para calentar.
- Aunque la cocción rápida permita acelerar la preparación de los guisos, ella queda lenta por comparación con una cocción



Fax +32 2 359 95 50

Copies of the I/B. Please reproduce them without any changes except under special instruction from Team International BELGIUM. The pages must be reproduced and folded in order to obtain a booklet A5 (+/- 148.5 mm width x 210 mm height). When folding, make sure you keep the good numbering when you turn the pages of the I/B. Don't change the page numbering. Keep the language integrity. **Print only what is inside the frame.**



clásica: su receta se cocinará siempre a fuego lento en toda tranquilidad, permitiendo que los ingredientes desprendan al máximo todo su sabor. La función ALTO cocina las comidas en la mitad del tiempo que se necesita utilizando la cocción en la función BAJO. Dado que la comida hervirá al ser cocinada en la función ALTO, tal vez sea necesario agregar algún líquido adicional, lo cual va a depender de la receta y del tiempo de cocción necesario para la misma. Revolver de vez en cuando la preparación puede contribuir a una mejor distribución del sabor, cuando se trata de guisos y comidas a la cacerola. Es necesario observar y cuidar la comida mientras se usa la función ALTO, exactamente como si se estuviera cocinando en una olla tradicional con tapa.

- También puede cocinar por las primeras dos o tres horas con la función ALTO, y luego volver a la función BAJO para el resto de la cocción.
- Al utilizar la función MANTENER TIBIO, la olla de cocción lenta mantendrá la comida a temperatura de servir, luego de la cocción, a aproximadamente 150°F / 70°C. No utilice esta función para cocinar.

CONSEJOS PRÁCTICOS

- A fin de aumentar la vida útil de su aparato y de proteger el recipiente de cerámica, se desaconseja absolutamente crear choques térmicos durante su utilización. Por ejemplo, no vierta líquido hirviendo por encima de ingredientes fríos y, al revés, no ponga ingredientes congelados en una preparación caliente.
- Nunca se debe llenar la olla hasta los bordes porque la preparación podría desbordar durante la cocción (Deje un espacio de un mínimo de 2 pulgadas entre la comida y el borde de la olla).
- No utilice durante más de 8 horas consecutivas
- Toda comida congelada deberá ser descongelada antes de cocinarla en la olla de cocción lenta.



Fax +32 2 359 95 50

Copies of the I/B. Please reproduce them without any changes except under special instruction from Team International BELGIUM. The pages must be reproduced and folded in order to obtain a booklet A5 (+/- 148.5 mm width x 210 mm height). When folding, make sure you keep the good numbering when you turn the pages of the I/B. Don't change the page numbering. Keep the language integrity. **Print only what is inside the frame.**



COCINE EN SU OLLA PARA GUIOS

Contrariamente a una cocción clásica, este aparato no calienta los alimentos desde abajo: sólo los lados de la olla se calientan, luego el calor se reparte en el conjunto del recipiente. De este modo, los alimentos ya no se pegan al fondo del recipiente, así que pueden cocer durante mucho tiempo.

En su olla para guisos, puede realizar todas las recetas que necesitan una cocción suave, dicha « a fuego lento ». Pero también se pueden adaptar otras recetas.

Dado que la mayoría de las comidas se cocinan durante un lapso de 6 a 9 horas, las mismas pueden ser preparadas la noche anterior, refrigeradas en la olla de loza desmontable, colocadas en la olla de cocción lenta y encendida en la mañana, dejándolas cocinarse durante todo el día. Una deliciosa comida caliente lo esperará a su regreso a casa.

La siguiente guía lo ayudará a simplificar el proceso de cocción lenta, permitiéndole estar plenamente satisfecho de su olla de cocción lenta:

Todo es cuestión de tiempo!

Permita siempre que la comida se cocine el tiempo suficiente. Es prácticamente imposible que la comida se re-cocine utilizando la olla de cocción lenta, especialmente si se utiliza la función de calor BAJO. La mayor parte de las recetas pueden ser preparadas en cualquiera de los grados de temperatura, pero sin embargo los tiempos de cocción van a variar de acuerdo a las mismas.

Cómo determinar los tiempos de cocción

Sus recetas favoritas y tradicionales pueden ser adaptadas fácilmente reduciendo a la mitad la cantidad de líquido y aumentando considerablemente el tiempo de cocción. Observe la siguiente guía de sugerencias para tiempos de cocción y ajustes de tiempo para la preparación de sus recetas favoritas:



Fax +32 2 359 95 50

Copies of the I/B. Please reproduce them without any changes except under special instruction from Team International BELGIUM. The pages must be reproduced and folded in order to obtain a booklet A5 (+/- 148.5 mm width x 210 mm height). When folding, make sure you keep the good numbering when you turn the pages of the I/B. Don't change the page numbering. Keep the language integrity. **Print only what is inside the frame.**



Tiempo para Receta Tradicional:
15-30 minutos
60 minutos
1-3 horas

Receta para Olla de Cocción Lenta:
4-6 horas en función calor BAJO
6-8 horas en función calor BAJO
8-12 horas en función calor BAJO

NOTA! Estos tiempos son aproximados. Los tiempos pueden variar según los ingredientes y las cantidades que figuran en las recetas.

Todas las comidas deben ser cocinadas con la tapa de vidrio debidamente colocada. Cada vez que se levanta la tapa, tanto el calor como la humedad disminuyen. Los tiempos de cocción deben ser determinados teniendo en cuenta este factor.

Cantidad de líquidos

Durante la cocción de la comida en su olla de cocción lenta, sólo una pequeña cantidad de humedad se va evaporando. Para compensar esto se recomienda reducir a la mitad la cantidad de contenido líquido de las recetas tradicionales. Sin embargo, en el caso de que el contenido líquido sea excesivo, levantar la tapa y hacer funcionar la olla de cocción lenta en calor ALTO entre 30 y 45 minutos, o hasta que el líquido se reduzca hasta llegar a la cantidad deseada.

Revolver la comida

No es necesario revolver la comida cuando se utilizan las funciones BAJO o MANTENER TIBIO, y en algunos casos se requiere revolverla sólo levemente. Cuando se utiliza la función calor ALTO se recomienda revolver la comida, ya que esto permitirá lograr una distribución uniforme del sabor.

REFERENCIA DE TEMPERATURAS

Por favor utilice la siguiente tabla como referencia para la temperatura alcanzada.



Fax +32 2 359 95 50

Copies of the I/B. Please reproduce them without any changes except under special instruction from Team International BELGIUM. The pages must be reproduced and folded in order to obtain a booklet A5 (+/- 148.5 mm width x 210 mm height). When folding, make sure you keep the good numbering when you turn the pages of the I/B. Don't change the page numbering. Keep the language integrity. **Print only what is inside the frame.**



Tiempo de operación	Temperatura aprox. en función ALTO	Temperatura aprox. en función BAJO
1 hora	61°F / 16°C	61°F / 16°C
2 horas	117 °F / 47°C	117 °F / 47°C
3 horas	165 °F / 74°C	162 °F / 72°C
4 horas	212 °F / 100°C	180 °F / 82°C
5 horas	212 °F / 100°C	194 °F / 90°C
6 horas	212 °F / 100°C	198 °F / 92°C
7 horas	212 °F / 100°C	200 °F / 93°C
8 horas	212 °F / 100°C	200 °F / 93°C

LIMPIEZA

- Poner en posición *OFF*.
 - Desenchufe el aparato y déjelo enfriar antes de limpiarlo.
 - Quite de la base la tapa y el recipiente de cerámica por medio de sus asas y lávelos con agua caliente y detergente. Puede dejarlos en remojo pero nunca utilice una esponja abrasiva para limpiarlos. Enjuagar minuciosamente.
 - La olla de loza y la tapa de vidrio pueden también lavarse en el lavaplatos. Sin embargo, se deberá tener cuidado de no rayar o quebrar la olla de loza y/o la tapa de vidrio.
 - Seque el interior de la cuba y el cuerpo del aparato con una esponja húmeda. Nunca lo sumerja en agua. Nunca lo ponga en el lavaplatos.
 - Nunca llene de agua con detergente el recipiente de cerámica para limpiarlo si todavía está en la cuba.
- No introduzca nunca partes del aparato en el lavavajillas.



Fax +32 2 359 95 50

Copies of the I/B. Please reproduce them without any changes except under special instruction from Team International BELGIUM. The pages must be reproduced and folded in order to obtain a booklet A5 (+/- 148.5 mm width x 210 mm height). When folding, make sure you keep the good numbering when you turn the pages of the I/B. Don't change the page numbering. Keep the language integrity. **Print only what is inside the frame.**



GARANTÍA

Le sugerimos rellenar y nos envíen rápidamente la Tarjeta de Registro de Producto adjunta para facilitar la verificación de la fecha de compra. Por lo tanto, la devolución de esa Tarjeta de Registro de Producto no es una condición imprescindible para la aplicación de esa garantía. Puede también rellenar dicha tarjeta de garantía en línea en la dirección siguiente: www.KALORIK.com

A partir de la fecha de compra, este producto KALORIK está garantizado un año contra los defectos materiales y de fabricación, en los Estados Unidos. Esta garantía no es transferible. Conserve la prueba de compra original. Se exige una prueba de compra para obtener la aplicación de la garantía.

Durante este período, si el producto KALORIK después de una inspección por parte de KALORIK, se manifiesta defectuoso, será reparado o reemplazado, según lo que decida KALORIK, sin gastos para el consumidor. Si se envía un producto de reemplazo, se aplicará la garantía que queda del producto original.

Esta garantía no se aplica a los defectos causados por una mala utilización por parte del comprador o del usuario, o una negligencia al no respeto del manual de instrucciones KALORIK, o una utilización en un circuito eléctrico cuyo voltaje es diferente al que figura en el producto, o un desgaste normal, o modificaciones o reparaciones no autorizadas por KALORIK, o por un uso con fines comerciales. No existe garantía por las partes de cristal, jarras de cristal, filtros, cestos, cuchillas y accesorios en general. No existe tampoco garantía por las piezas perdidas por el usuario.

Toda garantía de valor comercial o de adaptabilidad a este producto está limitada a un año también.

Algunos estados no ponen límites a la duración de la garantía tácita o no autorizan la exclusión de daños y perjuicios accesorios o indirectos, por lo que puede que las restricciones anteriormente mencionadas no le sean aplicables a Usted. Esta garantía le otorga derechos legales particulares, pero usted puede tener también otros



Fax +32 2 359 95 50

Copies of the I/B. Please reproduce them without any changes except under special instruction from Team International BELGIUM. The pages must be reproduced and folded in order to obtain a booklet A5 (+/- 148.5 mm width x 210 mm height). When folding, make sure you keep the good numbering when you turn the pages of the I/B. Don't change the page numbering. Keep the language integrity. **Print only what is inside the frame.**



derechos que varían de un estado a otro y algunos derechos pueden variar de un estado a otro.

Si el aparato tuviera un defecto durante el periodo de garantía y / o más de 30 días después de que se compró, no devuelva el aparato en la tienda donde le compró: a menudo, nuestro Servicio al Consumidor puede ayudar a resolver el problema sin que el producto tenga que ser reparado. Si hace falta una reparación, uno de nuestros representantes puede confirmar si el producto está bajo garantía y dirigirle al servicio post-venta más próximo.

Si fuera el caso, traiga el producto (o envíelo, correctamente franqueado) con la **prueba de compra** que mencione **el número de autorización de devolución** indicado por nuestro Servicio al Consumidor, al servicio post-venta KALORIK más próximo. (Visite nuestra web www.KALORIK.com o llame al Servicio al Consumidor para obtener la dirección del Servicio post-venta KALORIK exclusivo más próximo).

Si envía el producto, le rogamos añadan una carta explicando la naturaleza del defecto.

Si tiene preguntas adicionales, por favor llame al Servicio al Consumidor (véase abajo para los datos completos), de lunes a viernes, de las 9 a las 18 (EST). Note que las horas pueden ser modificadas.

Si quiere escribirnos, puede hacerlo a la dirección siguiente:

KALORIK Servicio al Consumidor

Team International Group of America Inc.
1400 N.W 159th Street, Suite 102
Miami Gardens, FL 33169 USA

O llame gratuitamente (U.S.A.) al +1 888-521-TEAM / +1 888-KALORIK

Las cartas se aceptan solamente en la dirección anteriormente mencionada. Los envíos y paquetes que no tengan número de autorización de devolución serán rechazados.



Fax +32 2 359 95 50

Copies of the I/B. Please reproduce them without any changes except under special instruction from Team International BELGIUM. The pages must be reproduced and folded in order to obtain a booklet A5 (+/- 148.5 mm width x 210 mm height). When folding, make sure you keep the good numbering when you turn the pages of the I/B. Don't change the page numbering. Keep the language integrity. **Print only what is inside the frame.**



(FR) MODE D'EMPLOI

CONSIGNES DE SECURITE

- 1. LISEZ L'ENSEMBLE DES INSTRUCTIONS.**
2. Avant d'utiliser l'appareil, vérifiez que la tension du réseau correspond bien à celle notée sur la plaque signalétique de votre appareil.
3. Ne touchez pas les surfaces chaudes. Utilisez les poignées et les boutons.
4. Pour éviter les risques d'électrocution, n'immergez pas le cordon, la fiche, l'appareil ou le panneau de contrôle dans l'eau ou dans tout autre liquide.
5. Faites particulièrement attention lorsque l'appareil est utilisé par ou en présence d'enfants.
6. Ne faites pas fonctionner l'appareil si son cordon ou sa fiche est endommagé ou si l'appareil a présenté un dysfonctionnement ou est endommagé. Retournez l'appareil au centre de service autorisé pour le faire vérifier ou réparer.
7. Débranchez l'appareil de la prise murale lorsqu'il n'est pas utilisé ou avant de le nettoyer. Laissez-le refroidir avant d'enlever ou d'ajouter des accessoires ou de le nettoyer.
8. L'utilisation d'accessoires non recommandés par le fabricant présente des risques d'incendie, d'électrocution ou de blessure.
9. N'utilisez pas l'appareil à l'extérieur.
10. Ne laissez pas le cordon pendre de la table ou du comptoir et évitez qu'il touche une surface chaude.
11. Ne placez pas l'appareil sur ou près d'un brûleur à gaz ou électrique ou dans un four chaud.
12. Prenez un maximum de précautions lorsque vous déplacez un appareil contenant de l'huile chaude ou tout autre liquide chaud.
13. **ATTENTION** : Pour éviter d'endommager ou de provoquer une décharge électrique, ne cuisinez pas dans la base. Cuisinez uniquement dans le récipient amovible.
14. Evitez les changements de température brusques. N'ajoutez pas d'aliments très froids dans le récipient chaud par exemple.



Fax +32 2 359 95 50

Copies of the I/B. Please reproduce them without any changes except under special instruction from Team International BELGIUM. The pages must be reproduced and folded in order to obtain a booklet A5 (+/- 148.5 mm width x 210 mm height). When folding, make sure you keep the good numbering when you turn the pages of the I/B. Don't change the page numbering. Keep the language integrity. **Print only what is inside the frame.**



15. Insérez toujours le cordon d'abord dans l'appareil et ensuite dans la prise murale. Pour déconnecter l'appareil, débranchez-le.
16. N'utilisez pas cet appareil à des fins autres que celles pour lesquelles il est conçu.

CONSERVEZ CES INSTRUCTIONS USAGE DOMESTIQUE UNIQUEMENT

INSTRUCTIONS POUR LES FICHES POLARISÉES

Cet appareil est équipé d'une prise polarisée (une des deux tiges métalliques est plus large que l'autre). Pour réduire le risque de choc électrique, cette prise ne peut être introduite que d'une seule façon dans la fiche murale. Si cette prise ne rentre pas correctement dans la fiche, retournez-la. Si elle ne rentre toujours pas, contactez un électricien qualifié. **N'essayez jamais de modifier vous-même la prise polarisée.**

CONSIGNES CONCERNANT LE CORDON

Le cordon d'alimentation de l'appareil est un cordon de type court, et ce afin de diminuer les risques d'accidents (chute si vous marchez sur le cordon...). Vous pouvez toutefois utiliser une rallonge si nécessaire mais:

- Assurez-vous que l'ampérage de la rallonge est égal ou supérieur à celui de l'appareil. Une rallonge avec un ampérage inférieur à celui de l'appareil risquerait de surchauffer et de brûler.
- La rallonge ne doit pas pendre du plan de travail ou de la table afin d'éviter que les enfants ne le tirent ou trébuchent.

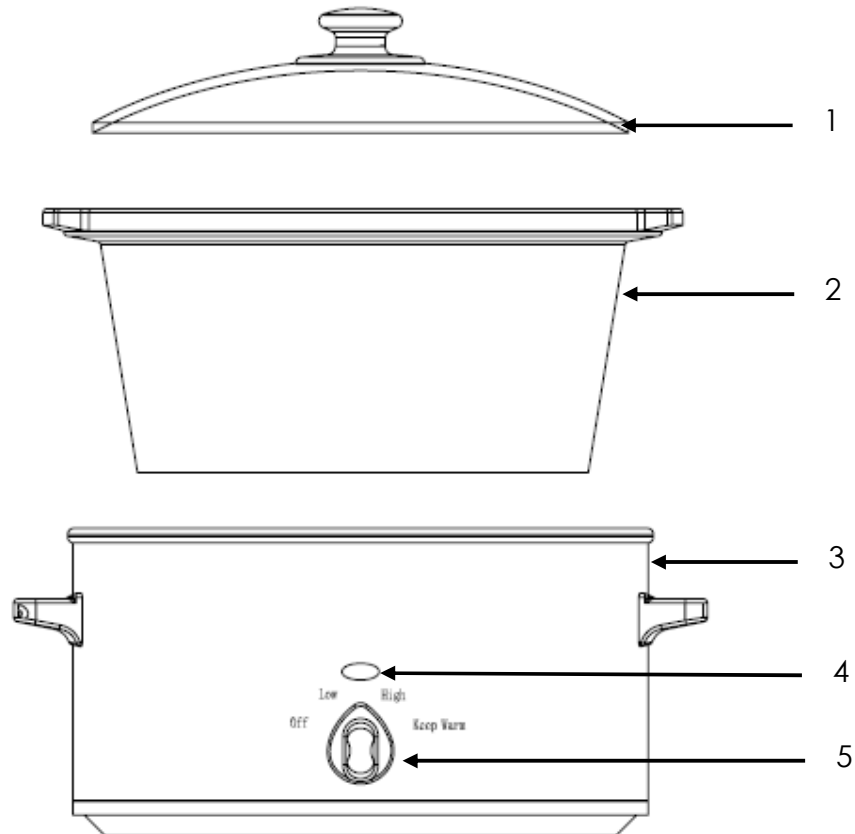


Fax +32 2 359 95 50

Copies of the I/B. Please reproduce them without any changes except under special instruction from Team International BELGIUM. The pages must be reproduced and folded in order to obtain a booklet A5 (+/- 148.5 mm width x 210 mm height). When folding, make sure you keep the good numbering when you turn the pages of the I/B. Don't change the page numbering. Keep the language integrity. **Print only what is inside the frame.**



DESCRIPTION



1. Couvercle
2. Récipient en céramique
3. Base chauffante
4. Témoin lumineux
5. Sélecteur de température 4 positions : OFF, LOW (basse température), HIGH (haute température) et KEEP WARM (maintien au chaud).



Fax +32 2 359 95 50

Copies of the I/B. Please reproduce them without any changes except under special instruction from Team International BELGIUM. The pages must be reproduced and folded in order to obtain a booklet A5 (+/- 148.5 mm width x 210 mm height). When folding, make sure you keep the good numbering when you turn the pages of the I/B. Don't change the page numbering. Keep the language integrity. **Print only what is inside the frame.**



UTILISATION

- Après le déballage de votre appareil, lavez le récipient en céramique et le couvercle dans de l'eau savonneuse, rincez et essuyez l'ensemble.
- Lors de la première utilisation, les parties chauffantes peuvent dégager une certaine odeur ainsi que de la fumée. C'est pourquoi nous vous recommandons d'allumer l'appareil durant au moins 10 minutes sans nourriture (aérez la pièce durant cette opération) pour la première utilisation. Laissez refroidir.
- Préparez vos recettes directement dans le récipient en céramique.
- Placez le couvercle sur le récipient en céramique.
- Vérifiez toujours que le sélecteur se trouve sur la position "0" (appareil éteint)
- Branchez votre appareil sur une prise murale reliée à la terre.
- Placez le bouton du thermostat sur la position désirée et laissez la préparation cuire doucement.
- Si vous faites usage d'une rallonge, comparez ses caractéristiques avec celles de votre appareil (indiquées sur sa plaque signalétique) et vérifiez qu'elle est compatible.
- Une fois votre préparation cuite, placez le sélecteur sur la position "OFF" et débranchez la fiche de la prise murale.
- Vous pouvez soit servir votre préparation dans le récipient en céramique, soit la verser dans un autre récipient. Lors du retrait du récipient en céramique de la cuve, munissez-vous de gants de cuisine ou d'un linge pour attraper ses poignées surtout si vous êtes sensible à la chaleur.
- Laissez toujours refroidir l'appareil avant son nettoyage ou son rangement.

SELECTEUR DE TEMPERATURE

- Selon la recette que vous préparez, vous pouvez soit placer le sélecteur sur la position LOW (BASSE température) ou la position HIGH (HAUTE température).
- La cuisson en température BASSE mijote doucement la nourriture pendant une très longue période, sans risque de laisser la préparation brûler ou trop cuire. Il n'est pas nécessaire de



Fax +32 2 359 95 50

Copies of the I/B. Please reproduce them without any changes except under special instruction from Team International BELGIUM. The pages must be reproduced and folded in order to obtain a booklet A5 (+/- 148.5 mm width x 210 mm height). When folding, make sure you keep the good numbering when you turn the pages of the I/B. Don't change the page numbering. Keep the language integrity. **Print only what is inside the frame.**



remuer. Cette position est idéale pour réchauffer ou cuire des légumes.

- Bien que la cuisson rapide permette d'accélérer la préparation, elle reste lente comparée à une cuisson classique et votre plat pourra toujours mijoter tranquillement pour permettre aux ingrédients de dégager au maximum toute leur saveur. La position HAUTE va cuire en moitié moins de temps que la position basse. Comme la préparation va bouillir dans cette position, il peut être nécessaire de penser à rajouter du liquide de temps en temps, en fonction de la recette ou de la durée de la cuisson. Remuez de temps en temps pour répartir les goûts et saveurs. Surveillez la cuisson régulièrement si vous utilisez la température HAUTE pour la cuisson, comme pour la cuisson dans une casserole ou dans une mijoteuse.
- Vous pouvez aussi utiliser le réglage HIGH pendant les deux premières heures de cuisson et ensuite passer sur le réglage LOW pour le reste de la cuisson.
- En position de maintien au chaud (KEEP WARM), la mijoteuse gardera la préparation déjà cuite à la température de service, c'est à dire autour de 70°C / 150°F. N'utilisez pas cette position pour cuire une préparation.

CONSEILS PRATIQUES

- Afin d'augmenter la durée de vie de votre appareil et de protéger le récipient en céramique, il est fortement déconseillé de créer des chocs thermiques pendant son utilisation. Par exemple, ne versez pas de liquide bouillant sur des ingrédients froids et à l'inverse, ne placez pas d'ingrédients congelés dans une préparation chaude.
- Ne remplissez jamais le récipient en céramique à ras bord, car la préparation risquerait de déborder pendant la cuisson.
- Ne pas utiliser plus de 8 heures consécutives.
- Décongelez les aliments avant de le cuire dans votre mijoteuse.

CUISINEZ DANS VOTRE MIJOTEUSE

Contrairement à une cuisson classique, votre appareil ne chauffe pas les aliments par le dessous, seuls les cotés de l'appareil chauffent



Fax +32 2 359 95 50

Copies of the I/B. Please reproduce them without any changes except under special instruction from Team International BELGIUM. The pages must be reproduced and folded in order to obtain a booklet A5 (+/- 148.5 mm width x 210 mm height). When folding, make sure you keep the good numbering when you turn the pages of the I/B. Don't change the page numbering. Keep the language integrity. **Print only what is inside the frame.**



puis la chaleur est répartie sur l'ensemble du récipient. De cette façon, les aliments n'attachent plus au fond du récipient et peuvent donc cuire pendant un temps prolongé.

La différence entre la position basse (LOW) et la position HAUTE (HIGH) n'est pas une question de température car elle est identique dans les deux cas une fois atteinte mais de vitesse de chauffe. Toutes les recettes qui nécessitent une cuisson lente dite « à feux doux » peuvent être réalisées dans votre mijoteuse. Mais d'autres recettes peuvent aussi s'adapter à ce type de cuisson.

Comme la plupart des préparations vont cuire de 6 à 9 heures, elles peuvent être préparées la veille par avance, réfrigérées pendant la nuit dans le récipient en céramique, et placées dans la mijoteuse le matin pour cuire pendant la journée. La préparation sera prête à servir à votre retour.

Tout est dans le minutage !

Prévoyez toujours suffisamment de temps à la préparation pour cuire. Il est presque impossible de trop cuire une préparation avec une mijoteuse, particulièrement en utilisant la température position BASSE (LOW). La plupart des préparations peuvent être cuites en utilisant n'importe laquelle de ces positions, mais choisissez en fonction du temps imparti pour la cuisson.

Adapter les temps de cuisson

Vos recettes traditionnelles préférées peuvent être adaptées facilement, en réduisant de moitié la quantité de liquide recommandée, et en augmentant le temps de cuisson considérablement. Suivez les indications ci-dessous quand vous souhaitez adapter vos recettes à votre mijoteuse :

Temps recette traditionnelle:	Temps avec mijoteuse:
15-30 minutes	4-6 heures en position BASSE
60 minutes	6-8 heures en position BASSE
1-3 heures	8-12 heures en position BASSE

NOTE! Ces temps sont indicatifs et peuvent varier en fonction des ingrédients ou des quantités utilisés.



Fax +32 2 359 95 50

Copies of the I/B. Please reproduce them without any changes except under special instruction from Team International BELGIUM. The pages must be reproduced and folded in order to obtain a booklet A5 (+/- 148.5 mm width x 210 mm height). When folding, make sure you keep the good numbering when you turn the pages of the I/B. Don't change the page numbering. Keep the language integrity. **Print only what is inside the frame.**



Toutes les préparations doivent être cuites avec le couvercle mis. A chaque fois que le couvercle est retiré, la température et l'humidité à l'intérieur du récipient de cuisson baissent. Adaptez les temps de cuisson en conséquence.

Quantités de liquide

Quand la préparation cuit, très peu d'humidité est retirée car il n'y a pas de bouillonnement. Pour compenser, n'ajoutez que la moitié du liquide recommandé par les recettes traditionnelles. Cependant, si après cuisson, il reste trop de liquide dans la préparation, retirez le couvercle et finissez la cuisson en mode de température HAUTE. Pendant 30 à 45 minutes, pour réduire la préparation à votre convenance.

Remuer la préparation

Il n'est pas nécessaire de remuer ou alors très peu, en utilisant la position BASSE ou AUTO. Si vous utilisez la position HAUTE, remuez de temps en temps de façon à répartir les saveurs uniformément.

TEMPERATURES DE REFERENCE

Temps de fonctionnement	Température en position HAUTE	Température en position BASSE
1 heure	61°F / 16°C	61°F / 16°C
2 heures	117°F / 47°C	117°F / 47°C
3 heures	165°F / 74°C	162°F / 72°C
4 heures	212°F / 100°C	180°F / 82°C
5 heures	212°F / 100°C	194°F / 90°C
6 heures	212°F / 100°C	198°F / 92°C
7 heures	212°F / 100°C	200°F / 93°C
8 heures	212°F / 100°C	200°F / 93°C

Le tableau précédent peut être utilisé de façon indicative pour connaître la température atteinte par la préparation.



Fax +32 2 359 95 50

Copies of the I/B. Please reproduce them without any changes except under special instruction from Team International BELGIUM. The pages must be reproduced and folded in order to obtain a booklet A5 (+/- 148.5 mm width x 210 mm height). When folding, make sure you keep the good numbering when you turn the pages of the I/B. Don't change the page numbering. Keep the language integrity. **Print only what is inside the frame.**



NETTOYAGE ET ENTRETIEN

- Positionner l'interrupteur sur « OFF ». Veuillez débrancher la fiche de la prise de courant et attendre que l'appareil refroidisse avant de le nettoyer.
- Retirez le couvercle et le récipient en céramique à l'aide de leurs poignées et lavez-les à l'eau chaude savonneuse. Vous pouvez aussi les laisser tremper mais surtout, n'utilisez jamais d'éponge abrasive pour les récuser. Rincez abondamment.
- Le récipient en céramique et le couvercle peuvent aussi être placés dans le lave-vaisselle. Prenez garde à ne les exposer à aucun coup pour éviter tout risque d'éclat.
- Essuyez l'intérieur de la cuve et le corps de l'appareil à l'aide d'une éponge humide.
- N'immergez pas le corps de l'appareil dans l'eau ou tout autre liquide. De même ne remplissez jamais le récipient en céramique d'eau savonneuse pour son nettoyage lorsqu'il est encore dans la cuve de cuisson.



Fax +32 2 359 95 50

Copies of the I/B. Please reproduce them without any changes except under special instruction from Team International BELGIUM. The pages must be reproduced and folded in order to obtain a booklet A5 (+/- 148.5 mm width x 210 mm height). When folding, make sure you keep the good numbering when you turn the pages of the I/B. Don't change the page numbering. Keep the language integrity. **Print only what is inside the frame.**



GARANTIE

Nous vous suggérons de remplir et de nous renvoyer rapidement la Carte d'Enregistrement Produit ci-jointe afin de faciliter la vérification de la date d'achat. Cependant, le renvoi de la Carte d'Enregistrement Produit n'est pas une condition indispensable à l'application de la présente garantie. Vous pouvez aussi remplir cette carte de garantie en ligne à l'adresse suivante :

www.KALORIK.com.

A compter de la date d'achat, ce produit KALORIK est garanti un an, sur le territoire des Etats-Unis, contre les défauts matériels et de fabrication. Cette garantie n'est pas transférable. Conservez la preuve d'achat originelle. Une preuve d'achat est exigée pour obtenir l'application de la garantie.

Durant cette période, le produit KALORIK qui, après inspection par KALORIK, s'avère défectueux, sera réparé ou remplacé, au choix de KALORIK, sans frais pour le consommateur. Si un produit de remplacement est envoyé, c'est la garantie restante du produit originel qui s'appliquera.

La présente garantie ne s'applique pas aux défauts dus à une mauvaise utilisation de la part de l'acheteur ou de l'utilisateur, à une négligence, au non-respect des consignes du manuel d'utilisation KALORIK, à une utilisation sur un circuit électrique au voltage différent de celui renseigné sur le produit, à une usure normale, à des modifications ou réparations non autorisées par KALORIK, ou par un usage à des fins commerciales. Il n'existe pas de garantie pour les parties en verre, récipients en verre, filtres, paniers, lames et accessoires en général. Il n'existe également pas de garantie pour les pièces perdues par l'utilisateur.

Toute garantie de valeur commerciale ou d'adaptabilité à ce produit est également limitée à la garantie d'un an.

Certains états ne limitent pas la longueur de la garantie tacite ou n'autorisent pas l'exclusion de dommages-intérêts accessoires ou indirects, les restrictions ci-dessus peuvent donc ne pas s'appliquer à



Fax +32 2 359 95 50

Copies of the I/B. Please reproduce them without any changes except under special instruction from Team International BELGIUM. The pages must be reproduced and folded in order to obtain a booklet A5 (+/- 148.5 mm width x 210 mm height). When folding, make sure you keep the good numbering when you turn the pages of the I/B. Don't change the page numbering. Keep the language integrity. **Print only what is inside the frame.**



vous. Cette garantie vous donne des droits légaux particuliers, et certains droits peuvent varier d'un état à l'autre.

Si l'appareil devait présenter un défaut durant la période de garantie et plus de 30 jours après l'achat, ne ramenez pas l'appareil au magasin : souvent, notre Service Clientèle peut aider à résoudre le problème sans que le produit ne doive être réparé. Si une réparation est nécessaire, un représentant peut confirmer si le produit est sous garantie et vous rediriger vers notre centre de réparation.

Le cas échéant, ramenez le produit (ou envoyez-le, dûment affranchi), ainsi qu'**une preuve d'achat**, en mentionnant **le numéro d'autorisation de retour**, indiqué par notre service clientèle, au service après-vente KALORIK agréé (visitez notre site internet **www.KALORIK.com** ou appelez notre département Service Clientèle pour obtenir l'adresse du service après-vente KALORIK agréé).

Si vous envoyez le produit, veuillez y joindre une lettre expliquant la nature du défaut.

Si vous avez des questions complémentaires, veuillez appeler notre département Service Clientèle (voyez plus bas pour les coordonnées complètes), du lundi au vendredi de 9h à 18h (EST). Veuillez noter que les heures sont sujettes à modification.

Si vous souhaitez nous écrire, adressez votre courrier à:

KALORIK Consumer Service Department

Team International Group of America Inc.
1400 N.W 159th Street, Suite 102
Miami Gardens, FL 33169 USA

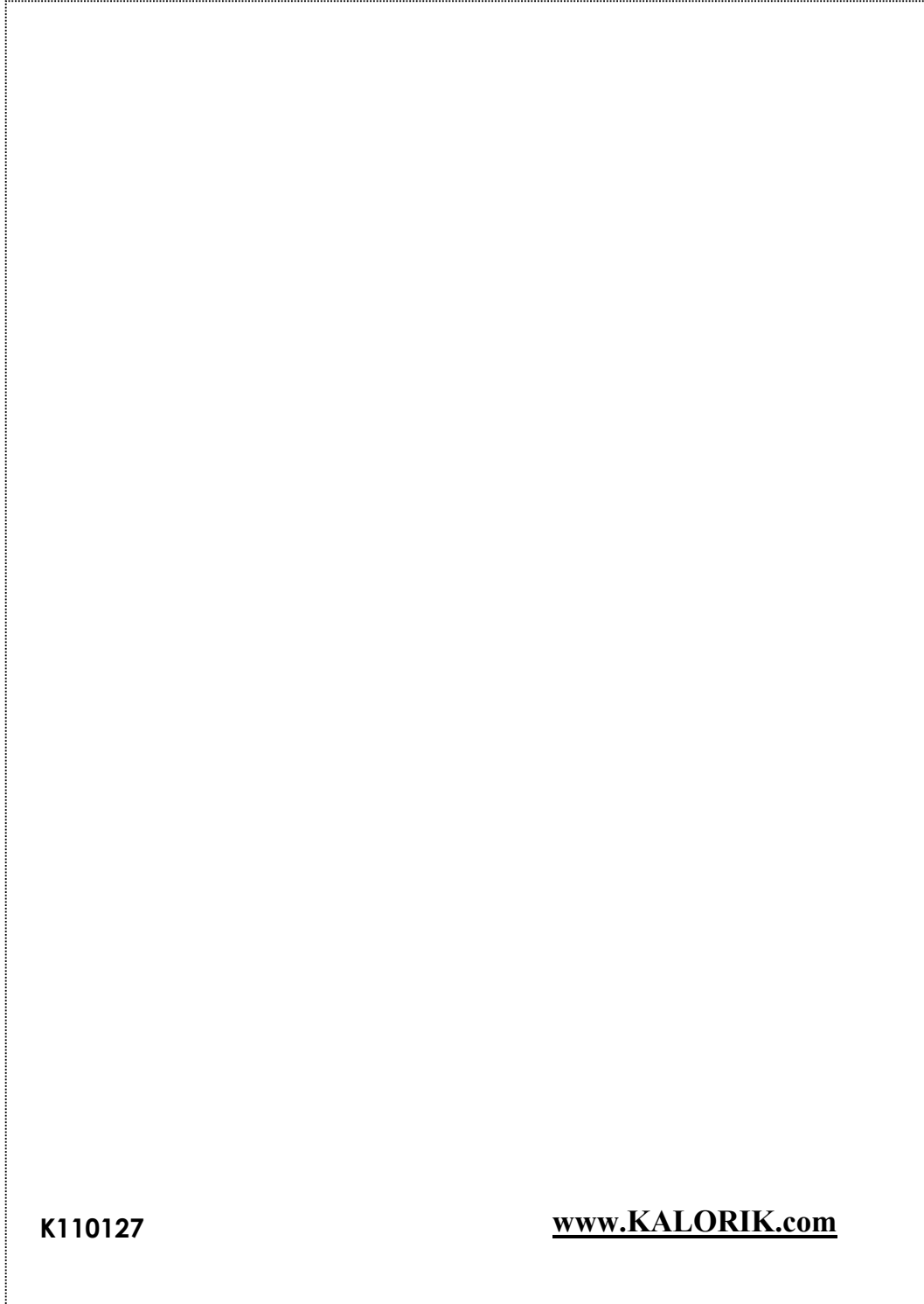
Ou appelez (Gratuitement des Etats-Unis): +1 888-521-TEAM ou +1 888-KALORIK.

Seules les lettres seront acceptées à l'adresse ci-dessus. Les envois et colis n'ayant pas de numéro d'autorisation de retour seront refusés.



Fax +32 2 359 95 50

Copies of the I/B. Please reproduce them without any changes except under special instruction from Team International BELGIUM. The pages must be reproduced and folded in order to obtain a booklet A5 (+/- 148.5 mm width x 210 mm height). When folding, make sure you keep the good numbering when you turn the pages of the I/B. Don't change the page numbering. Keep the language integrity. **Print only what is inside the frame.**



K110127

www.KALORIK.com



Back cover page (last page)

Assembly page 32/32